



CT101

# Universal Tablet Stand

Tablet Power, security, and mobility for any environment



## **INTEGRATED POWER**

In-stand contacts charge tablet when docked to support standalone or attended use 24/7.

## **HIGH SECURITY**

Rugged, all-metal stand securely mounts to any drillable surface.

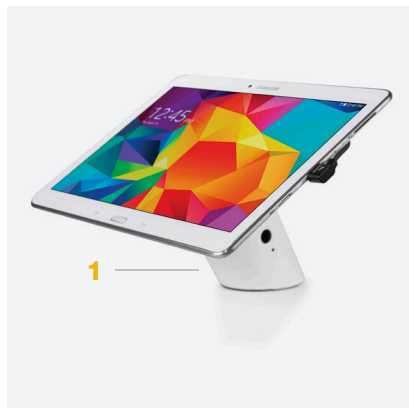
## **INSTANTLY MOBILE**

Easily remove tablet for complete mobility and automatically lock down when redocked.

High-security, universal tablet stand provides integrated charging and instant mobility.

## FEATURES AND BENEFITS

- 1 Rugged all-metal stand securely mounts to any drillable surface
- 2 In-stand contacts charge tablet when docked to support standalone or attended use 24/7
- 3 IR interface is easily accessed. OneKEY™ or CT Key instantly unlocks tablet for mobility with no impact to transaction time
- 4 Easily rotate tablet between portrait and landscape orientations
- 5 Swivel base option rotates 180° in either direction for enhanced customer engagement
- 6 Base plate option for drill-free surfaces
- 7 Optional tablet frames provide additional protection from theft and abuse

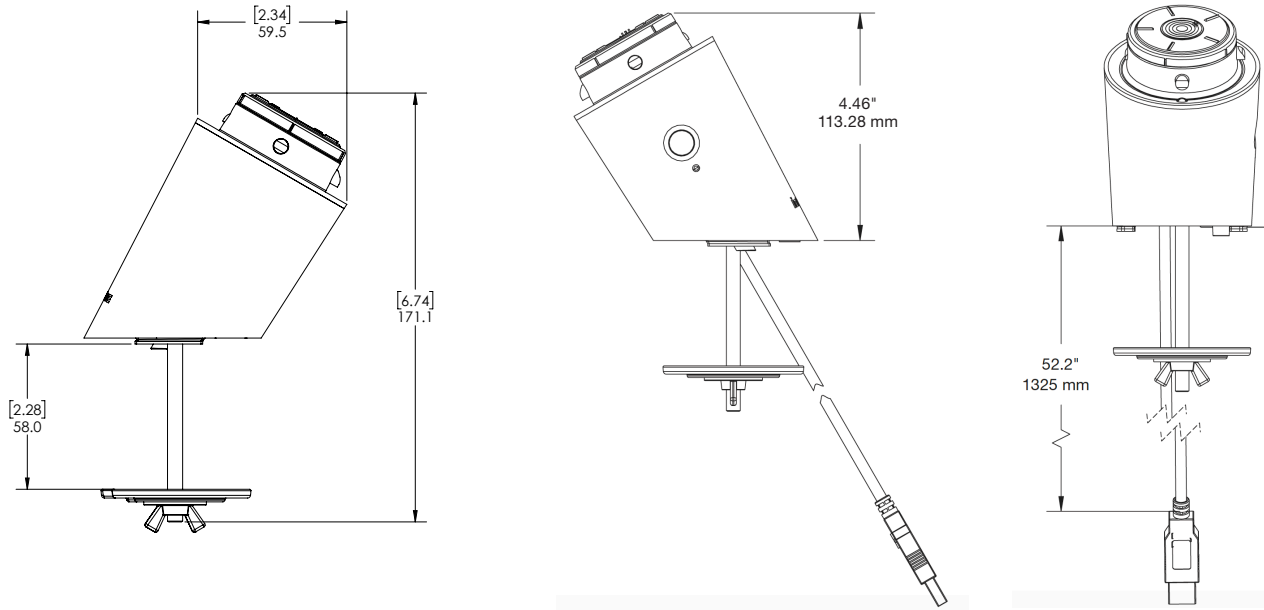


©2020 InVue Security Products. No endorsement of InVue products has been made by any of the manufacturers of the products shown. Product is sold pursuant to InVue's warranty which can be found at [invue.com/warranty](http://invue.com/warranty).

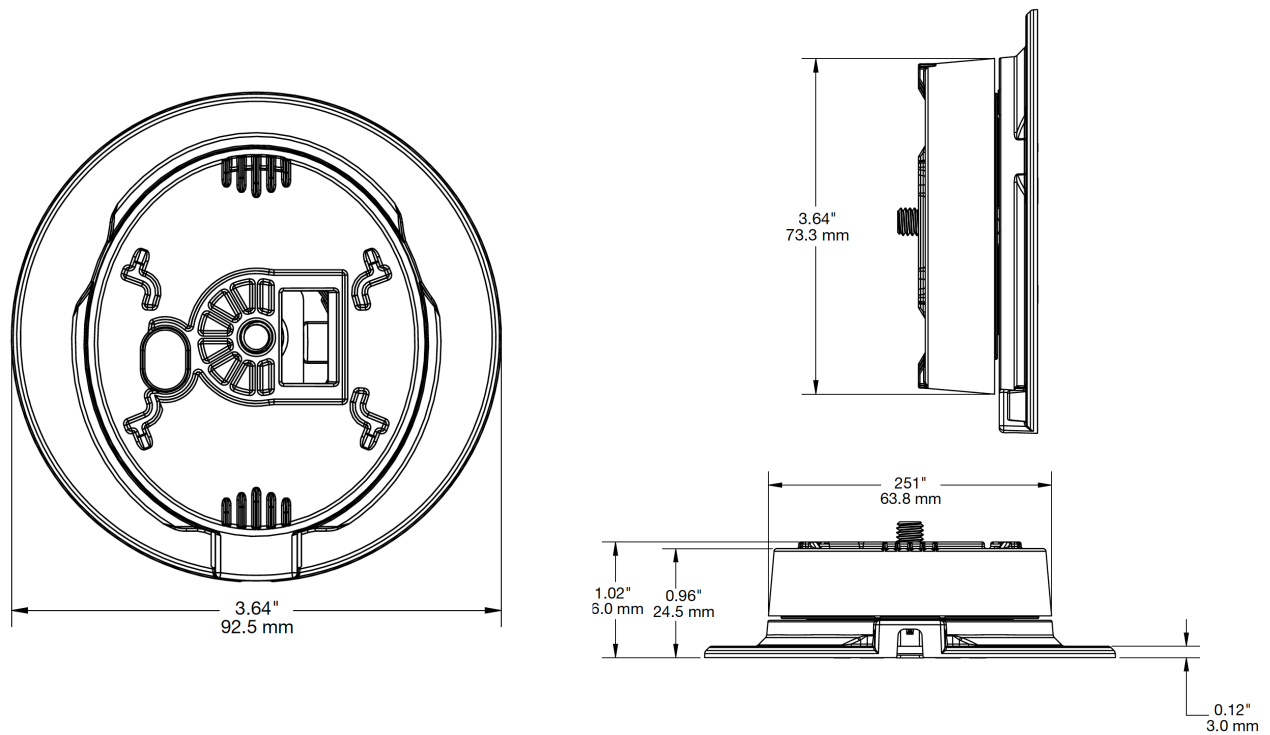
# CT101 / Technical Specifications

## SPECIFICATIONS

CT101 Stand, Bolt Mount Alarming/Non-Alarming (CT1011/CT1011NA):



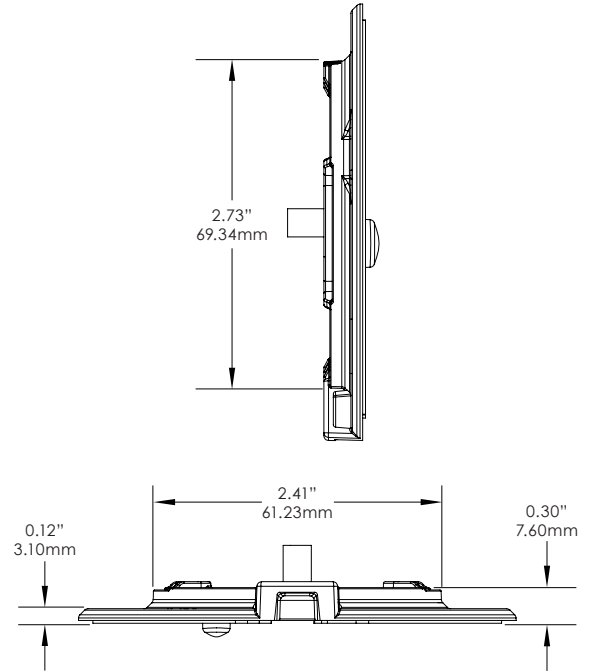
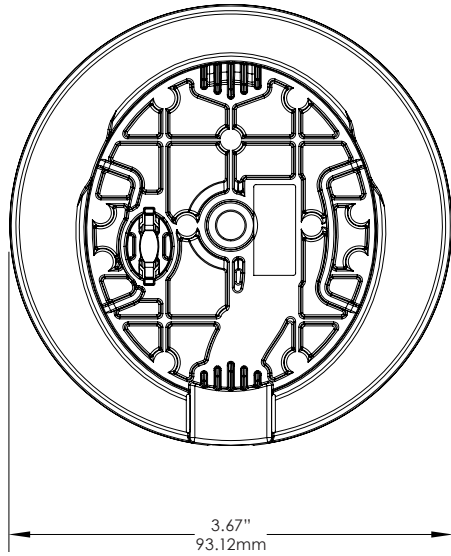
CT101 Swivel Base/Adhesive Mount (CT1012/CT1013):



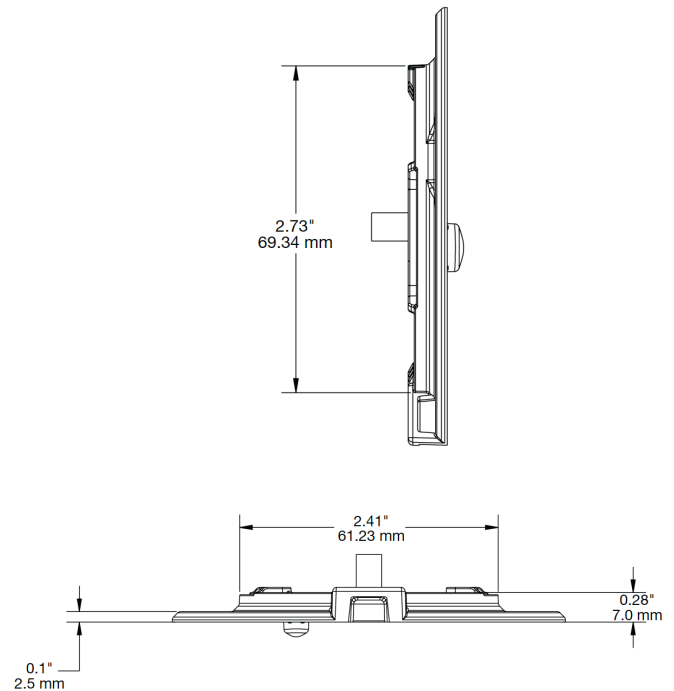
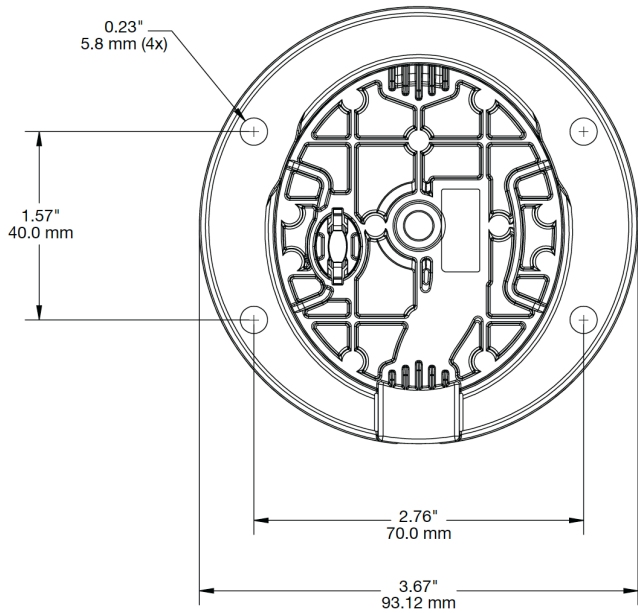
# CT101 / Technical Specifications

## SPECIFICATIONS

CT101 Adhesive Mount Base (CT1013):



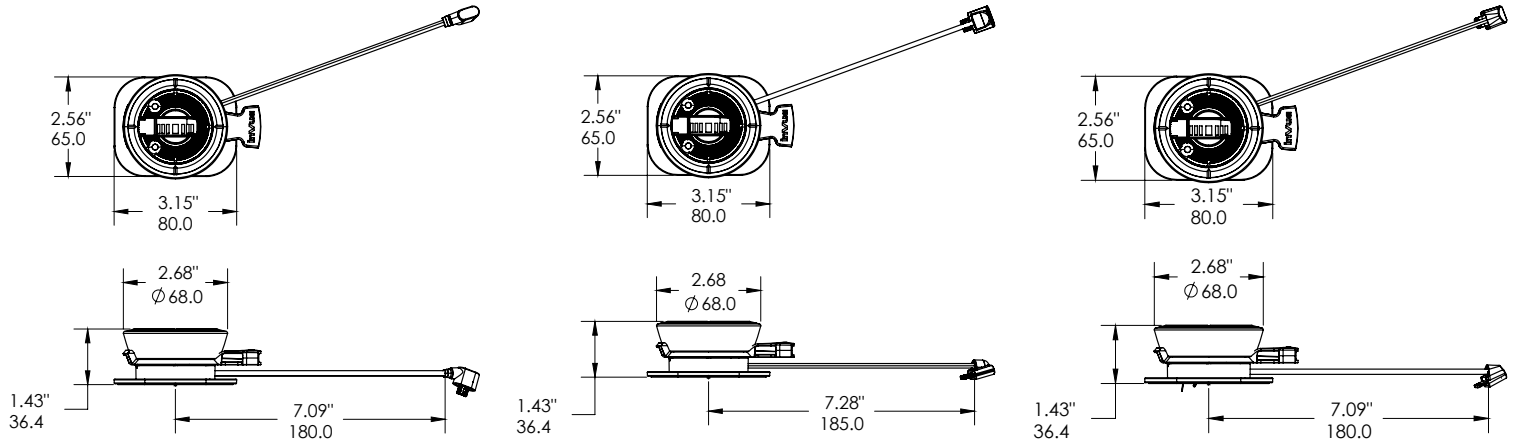
CT101 Wall Mount Plate (CT1014):



# CT101 / Technical Specifications

## SPECIFICATIONS

CT101 Adhesive Puck (CT1011ADH-UUSB/ CT1011ADH-USBC/ CT1011ADH-APL):

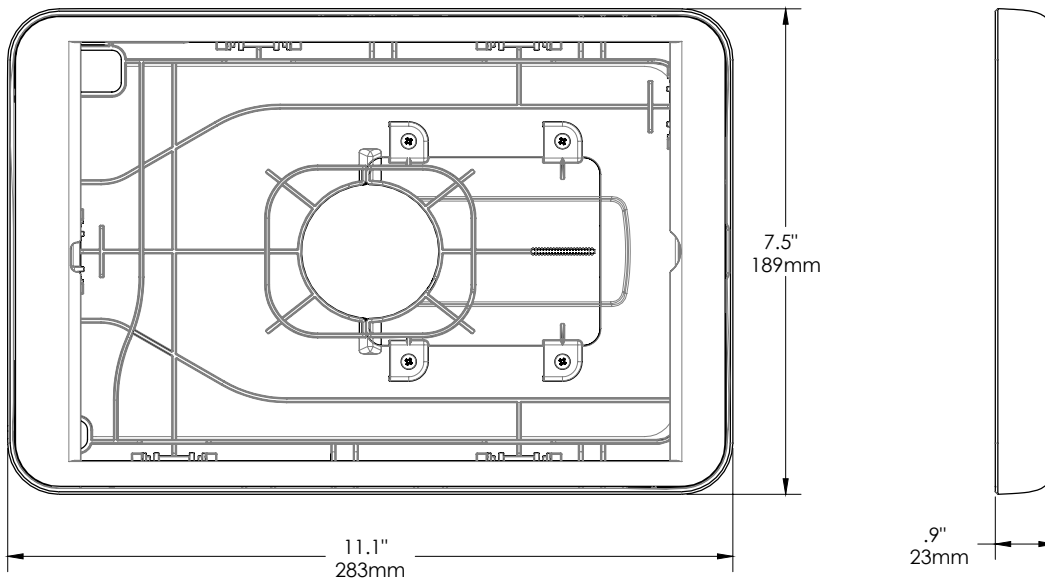


MicroUSB

USB-C

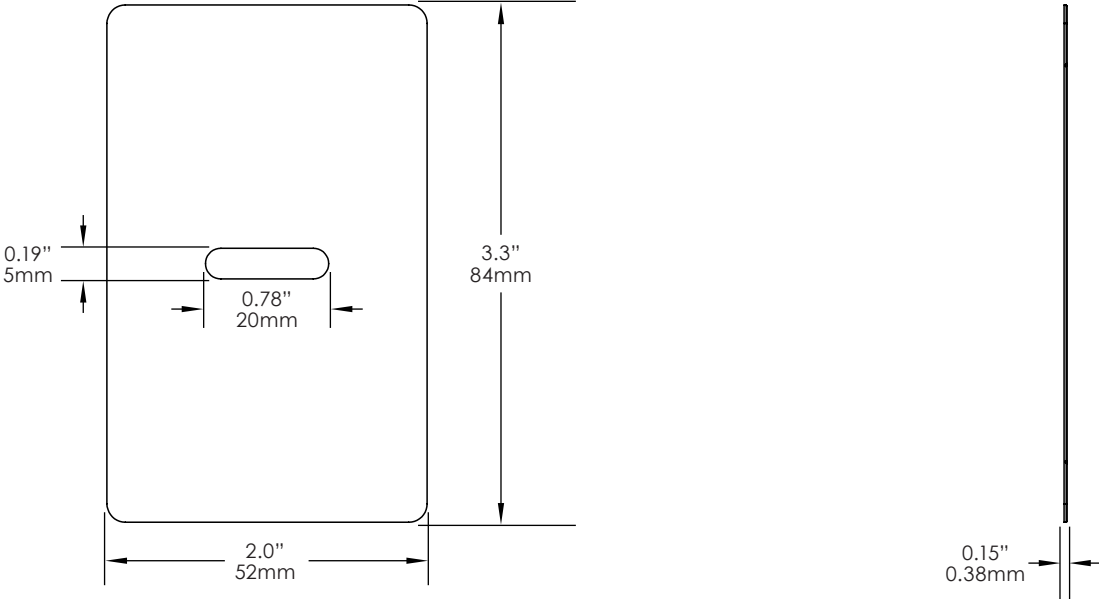
Lightning

Apple 9.7/10.2 Tablet Case (CT1015):



# CT101 / Technical Specifications

Optional LSE Adhesive Pads (HC7430):



## CT101 / Technical Specifications

### CT101 STANDS

ORDER CODE	DESCRIPTION	NOTE
CT1011-B CT1011-W	Alarming stand, bolt mount	Available in white or black
CT1011NA-B CT1011NA-W	Non-alarming stand, bolt mount	Available in white or black
CT1012-B CT1012-W	Swivel base	Available in white or black
CT1013-B CT1013-W	Adhesive mount base	Available in white or black
CT1014-B CT1014-W	Wall mount plate	Available in white or black

### CT101 ACCESSORIES

ORDER CODE	DESCRIPTION	
CT1011ADH-UUSB	MicroUSB adhesive puck	
CT1011ADH-USBC	USB-C adhesive puck	Requires PS564 or PS539
CT1011ADH-APL	Apple Lightning adhesive puck	
CTG2P001	Freestanding Acrylic Base	
ADH2071	Replacement adhesive for the mounting bases - 5 sets	
CTBA007	Magtek iDynamo mount	
CT203	Hand strap	
CT307	Shoulder strap	
CT312	Adhesive mount removal tool	
CT204	Replacement adhesive for stands	
ADH2143	Tablet Puck Replacement Adhesives, 5pk	
HC7430	Optional LSE Adhesive Pads, 5pk <b>Note:</b> Required if affixing CT101 puck to surface where standard adhesive will not adhere properly, such as some 3rd party cases or tablet with textured backs.	
AF6313	Multi-tool	
DNTX93	Scoop Blade Removal Tool	



# CT101 / Technical Specifications

## CT101 POWER

ORDER CODE	DESCRIPTION	
PS564	5-15V/3A 45W PD POWER SUPPLY, NO LINE CORD	REQUIRED FOR USB-C TABLETS  USE PS539 IF PS564 IS NO LONGER AVAILABLE
PS564-US	5-15V/3A 45W PD POWER SUPPLY, US LINE CORD	
PS564-UK	5-15V/3A 45W PD POWER SUPPLY, UK LINE CORD	
PS564-EU	5-15V/3A 45W PD POWER SUPPLY, EU LINE CORD	
PS564AUS	5-15V/3A 45W PD POWER SUPPLY, AUSTRALIA LINE CORD	
PS564-JPN	5-15V/3A 45W PD POWER SUPPLY, JAPAN LINE CORD	
PS531-US	5V/3A (5 PIN) POWER SUPPLY - US	REQUIRED FOR USB-C TABLETS  REQUIRES YC-SERIES POWER CABLE (NOT INCLUDED)
PS531-UK	5V/3A (5 PIN) POWER SUPPLY - UK	
PS531-EU	5V/3A (5 PIN) POWER SUPPLY - EU	
PS531-AUS	5V/3A (5 PIN) POWER SUPPLY - AUSTRALIA	
PS531-IND	5V/3A (5 PIN) POWER SUPPLY - INDIA	
PS531-JPN	5V/3A (5 PIN) POWER SUPPLY - JAPAN	
PS531-KR	5V/3A (5 PIN) POWER SUPPLY - KOREA	
PS539	5V/3A, 5-15V/3A, 20V/2.2 PD SUPPLY W/ GROUND (5 PIN) POWER SUPPLY	
YC2	POWER CABLE FOR PS539 - JAPAN	
YC3	POWER CABLE FOR PS539 - US	
YC4	POWER CABLE FOR PS539 - UK	
YC5	POWER CABLE FOR PS539 - AUS	
YC6	POWER CABLE FOR PS539 - EUR	

## CT101 CASES

ORDER CODE	DESCRIPTION	NOTE
CT1015-B	APPLE 9.7/10.2 TABLET CASE	REQUIRES ADHESIVE PUCK CT1011ADH-APL
CT1015-W		

©2022 InVue Security Products. No endorsement of InVue products has been made by any of the manufacturers of the products shown. Product is sold pursuant to InVue's warranty which can be found at [www.invue.com/warranty](http://www.invue.com/warranty).

**THE AMERICAS** 704.752.6513 • 888.55.INVUE

**EUROPE, MIDDLE EAST & AFRICA** +31.23.8900150

**ASIA PACIFIC** +852.3127.6811