

UTC-307

7" Ubiquitous Touch Computer UTC-307J with Celeron® J6412



Features

- Low power and fanless system design
- Built-in Celeron® J6412 (UTC-307J)
- 7" monitor with 16:9 widescreen display
- IP65-rated front panel for water and dust resistance
- Supports both landscape and portrait screen orientations
- VESA 75 mm standard mounting holes for varied mounting demands
- Detachable plastic frame design for panel mount applications
- Support TPM 2.0



Introduction

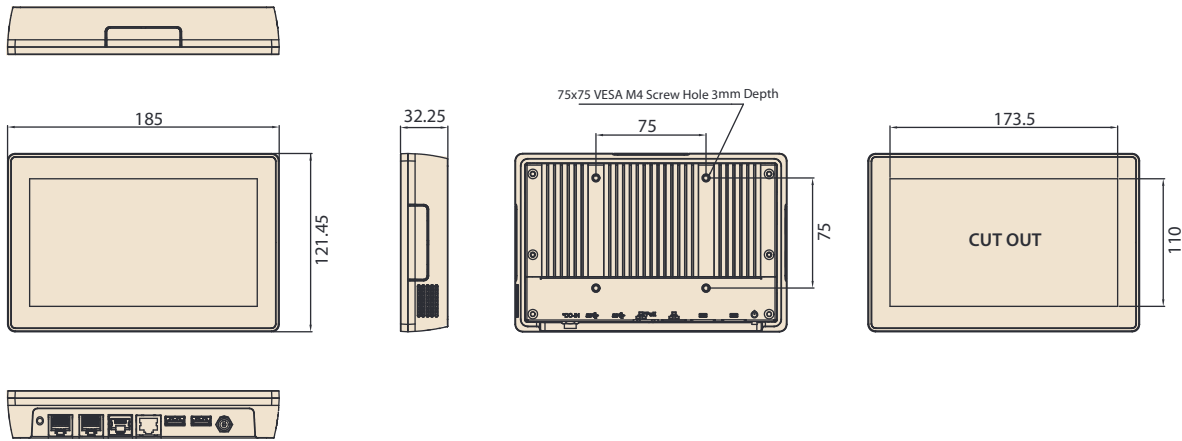
UTC-307 features an all-in-one computing system equipped with wide format, touch based LCD panel. It is easy to integrate key peripherals and display systems for diversified self-service and interactive signage deploy in different application areas. The systems deliver updated information with well-designed interactive interfaces, fully ensure relevant content and targeted promotions are delivered. UTC series touch panel computers are the best investments to enhance user satisfaction, further brand equity, and maximize business profits.

Specifications

Processor System	CPU	Intel® Celeron® J6412 (UTC-307J)
	Base Frequency	2.0 GHz (Quad-Core)
	Cache	L2 Cache 1.5MB
	Memory	DDR4-3200 up to 32GB
	Storage	1 x M.2 2242 SSD
	Network (LAN)	2 x Gigabit Ethernet ports (Supports Wake on LAN)
	I/O ports	2 x RS-232 COM (COM2 RS-232/422/485) 2 x USB3.0 2 x Gigabit Ethernet ports
	Stereo Speaker	1 x 2W
	Bus expansion	1 x M.2 key2230, 1 x M.2 key2242
	Mounting	VESA 75 x 75 mm (Screw Size, M4, 4mm)
	Dimensions (W x H x D)	185 x 121 x 32 mm
Weight	0.95kg (2.09lbs)	
Security	Support TPM2.0	
OS Support	Win 10 IoT Enterprise 64bit Android12 Linux	
Environmental Specifications	Operating Temperature	0 ~ 40 °C (32 ~ 104 °F)*
	Relative Humidity	10 ~ 95% @ 40 °C non-condensing
	Vibration	0.5G
	Shock	10G peak acceleration (11 msec. duration)
	Certification	CE, FCC, CB, UL, CCC, BSMI
Front Panel Protection	IP 65 Compliant	
Power Supply	DC Input Rating	12 V/3 A ~ 24 V/1.5 A, 36W ITE Adapter
	Power consumption	Typical 21.5W Max 28W
LCD Display	Size/Type	7" TFT LCD with LED backlight
	Max.Resolution	800 x 480
	Max. Color	262K
	Pixel Pitch (um)	192.6 x 179
	Brightness (cd/m ²)	450
View Angle	140°/ 160°	
Touch Screen Option (PE/GE)	Type	Projected Capacitive. Glass panel (by required)
	Light Transmission	80% ± 5% / 90%
	Controller	USB Interface

Dimensions

Unit: mm



Ordering Information

Part No.	Description
UTC-307JP-ATB1E	7" Pcap, J6412, 8G RAM, Black
UTC-307JP-ATW1E	7" Pcap, J6412, 8G RAM, White
1700001524	Power Cord 3P UL 10A 125V 180cm
170203180A	Power Cord 3P UK 2.5A/3A 250V 1.83M
170203183C	Power Cord 3P Europe (WS-010+WS-083)183cm
1700019146	Power Cord CCC 3P 2.5A 250V 183cm
1700025928-02	COM Port Converter cable RJ48-10P10C to D-SUB 9P 35cm

* UTC-307 PN (UTC-307JP-ATXXX) include the system and the 36W power adapter (96PSA-A36W12W7-5)

Peripherals for UTC-307 series

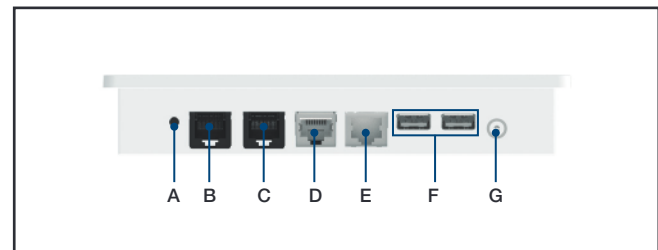
Tentative Part No.	Description
UTC-300P-C70E	5M Camera Module, White, for UTC-307/UTC-310 series
UTC-300P-C71E	5M Camera Module, Black, for UTC-307/UTC-310 series
UTC-300P-M70E	Magnet Strip Reader, White, for UTC-307/UTC-310 series
UTC-300P-M71E	Magnet Strip Reader, Black, for UTC-307/UTC-310 series
UTC-300P-R70E	RFID Reader, White, for UTC-307/UTC-310 series
UTC-300P-R71E	RFID Reader, Black, for UTC-307/UTC-310 series
UTC-300P-B70E	2D Barcode Reader, White, for UTC-307
UTC-300P-B71E	2D Barcode Reader, Black, for UTC-307
UTC-300P-L70E	LED Light Bar, for UTC-307/UTC-310 series
UTC-300P-W70E	M.2 wifi, 802.11 a/b/g/n/ac, 2T2R, BT4.2, A-E key, for UTC-307
UTC-300P-W70U	M.2 wifi, 802.11 a/b/g/n/ac, 2T2R, BT4.2, A-E key, for UTC-307 (US Only P/N)

* All peripherals must be ordered together with UTC-307, and assembled by Advantech only

Installation Accessory

Part No.	Description
UTC-WALL-MOUNT5E	UTC VESA mount (75x75)
UTC-PANEL-MOUNT2E	PANEL Mount Kit (UTC-307)
UTC-TABLE-STAND0E	Table Stand, White, For UTC-307/310
UTC-TABLE-STAND1E	Table Stand, Black, For UTC-307/310

Fully- Integrated I/O



- A. POWER BUTTON
- B. COM W/RS-232
- C. COM W/RS-232/422/485
- D. LAN Port
- E. LAN
- F. USB 3.0 x 2
- G. DC Power Jack