

TM-U295

ESC/POS®

Slip Printer

The world's smallest slip printer, perfect for POS terminals.



Just 1.5kg and ultra-compact,
the TM-U295 is the world's smallest slip printer.

Select from among four print sizes and four printing directions,
or use page mode to tell the printer where to print on the page.

The TM-U295 is also equipped with a host of user friendly
features, such as an easy-to-operate touch panel and an automatic
paper eject function. And for the widest range of applications,
connect the TM-U295 to an EPSON Intelligent Module.

AT A GLANCE

- Clear, easy to read function buttons
- 35/42 column capacity
- 1+4 original printing capability
- MCBF rating of approx 7 million lines

Slip Printer **TM-U295**

World's Smallest Slip Printer

Measuring a mere 180mm(W) x 190.5mm(D) x 101.5mm(H) and weighing in at only 1.6kg, the TM-U295 is the world's smallest slip printer. The small size and simple design of this printer make it a good match for any business.

Variety of Printing Formats

With four character sizes and four printing directions, the TM-U295 flexibility adapts to your slip printing needs. Further, you can use page mode to print characters practically anywhere on the slip.

User Friendly

Features such as an easy-to-use touch panel and automatic paper feedout maximize user friendliness. In addition, the ASB function, which automatically sends the status of the printer, enables the operator to monitor the printer status.



NT and IT Series Connectivity

The TM-U295 can be used with EPSON's Intelligent Modules, saving space and offering a broad range of applications choices for your business.

ESC/POS®

The TM-U295 conforms to the world-standard EPSON ESC/POS command system. High expandability and easy upgradability ensure efficient use of existing software assets.

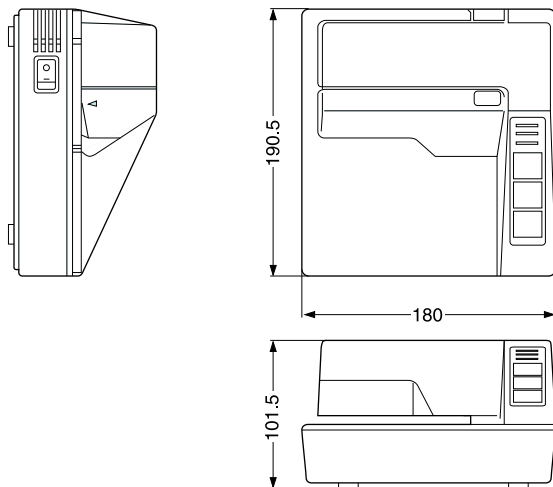
Superb Reliability

EPSON's world-renowned quality and reliability are reflected in every component and mechanism of the TM-U295, ensuring products unsurpassed in performance and dependability.

ESC/POS is a registered trademark of SEIKO EPSON CORPORATION.
EPSON is a member of OPOS committee.

APPEARANCE

Units: mm



SPECIFICATIONS

Print method	7-pin, shuttle impact dot matrix
Print Font	5 x 7 / 7 x 7
Column capacity	35 / 42 columns
Character size	1.6(W) x 2.9(H)mm / 1.3(W) x 2.9(H)mm
Character set	95 Alphanumeric, 32 International, 128 x 3 Graphic
Characters Per Inch	13.5CPI / 16.2CPI
Print Speed	2.1LPS
Data Buffer	512 bytes or 35 bytes
Interface	RS-232C / Bi-directional parallel
Paper Dimensions	Slip: 80(W) x 69(L) to 182(W) x 257(L)mm
Paper Thickness	0.09 to 0.035mm
Copy Capability	One original and two copies
Inked Ribbon	ERC-27 (black)
Ribbon Life	1.0 x 10 ⁶ characters
Power	24 VDC ± 10%
Current Consumption	Approx. 600mA (at 24VDC)
D.K.D. Function	2 drivers
Reliability	MTBF 18 x 10 ⁴ hours MCBF 7 x 10 ⁶ lines
Overall Dimensions	180(W) x 190.5(D) x 101.5(H)mm
Weight	Approx 1.6kg
EMC Standards	VCCL#1, FCC class A, CE marking
Safety Standards	UL / C-UL / TÜV

OPTION

POWER SUPPLY



PS-170

INPUT: 100-240V AC
OUTPUT: 24 VDC, 2.0A
Plug: 3P Power Jack
Safety standards: UL, CSA, TÜV

Specifications are subject to change without notice.

EPSON AUSTRALIA
3 Talavera Road
North Ryde NSW 2113
Tel: 1300 361 054
www.epson.com.au

EPSON NEW ZEALAND
Level 2 7-9 Fanshawe Street
Auckland 1010
Tel: 0800 237 766
www.epson.com.nz

ABN 91 002 625 783
7/17

Epson CoverPlus

Fast. Reliable. Professional

EPSON
EXCEED YOUR VISION

AVAILABLE FROM: