



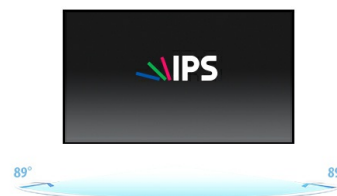
24" P-CAP 10pt touch screen featuring IPS panel technology and Anti Glare coating

With its Full HD (1920x1080) resolution and accurate Projective Capacitive 10 point touch technology, the ProLite T2454MSC-B1AG delivers seamless and accurate touch response. Featuring IPS LCD screen technology, it offers exceptional colour performance and wide viewing angles, making it a perfect choice for a vast array of interactive applications. The Anti Glare coating helps to avoid issues with reflections and external light sources affecting colour reproduction, contrast and sharpness. Its flexible stand can be positioned at several angles creating a comfortable and ergonomic user experience. The ProLite T2454MSC-B1AG is the ideal solution for interactive signage, instore retail, POS and interactive presentations.



Touch technology - Capacitive

This technology uses a sensor-grid of micro-fine wires integrated into the glass that covers the screen. Touch is detected because electrical characteristics of the sensor grid change when human finger is placed on the glass. Thanks to the glass overlay this technology is highly durable, and the touch function remains unaffected even if the glass is scratched. It offers perfect picture performance and will work with human finger (also latex gloved) and stylus-pen.



IPS

IPS displays are best known for wide viewing angles and natural, highly accurate colours. They are especially suited for colour-critical applications.

01 DISPLAY CHARACTERISTICS

Design	Ultra thin bezel
Diagonal	23.8", 60.5cm
Panel	IPS LED, AG surface finish
Native resolution	1920 x 1080 @60Hz (2.1 megapixel Full HD)
Aspect ratio	16:9
Panel brightness	250 cd/m ²
Static contrast	1000:1
Advanced contrast	5M:1
Response time (GTG)	4ms
Viewing zone	horizontal/vertical: 178°/178°, right/left: 89°/89°, up/down: 89°/89°
Colour support	16.7mIn 8bit
Horizontal Sync	30 - 80kHz
Viewable area W x H	527.04 x 296.46mm, 20.7 x 11.7"
Pixel pitch	0.274mm
Bezel colour and finish	black, matte

02 TOUCH

Touch technology	projective capacitive
Touch points	10 (HID, only with supported OS)
Touch method	stylus, finger, glove (latex)
Touch interface	USB
Supported operating systems	All iiyama monitors are Plug & Play and compatible with Windows and Linux. For details regarding the supported OS for the touch models, please refer to the driver instruction file available in the downloads section.
Palm rejection	yes

03 INTERFACES / CONNECTORS / CONTROLS

Analog signal input	VGA x1
Digital signal input	HDMI x1
Audio output	Speakers 2 x 2W
HDCP	yes
USB HUB	x2 (v.3.2 (Gen 1, 5Gbit))

04 FEATURES

OSD key lock	yes
--------------	-----

05 GENERAL

OSD languages	EN, DE, FR, ES, IT, PT, RU, JP, NL, PL
Control buttons	Auto, + Up, - Down, Menu, Power
User controls	Picture adjust (brightness, contrast, Eco, i-Style Color, adv. contrast), Geometry (pixel clock, phase, horizontal position, vertical position, aspect), Color settings (gamma, color temp), OSD (OSD horizontal position, OSD vertical position, OSD time, language, auto power off, touch wake up), Extra (reset, signal select, audio input, opening logo, LED, Overdrive, Information, volume, auto adjust)
Convenience	Kensington-lock™ prepared

Blue light reducer	yes
--------------------	-----

Plug&Play	DDC2B
-----------	-------

06 MECHANICAL

Height adjustment	268mm
-------------------	-------

Tilt angle	5° up; 90° down
------------	-----------------

VESA mounting	100 x 100mm
---------------	-------------

MTBF	30000 hours (excluding backlight)
------	-----------------------------------

07 ACCESSORIES INCLUDED

Cables	power (1.8m), USB (1.8m), HDMI (1.8m)
--------	---------------------------------------

Guides	quick start guide, safety guide
--------	---------------------------------

08 POWER MANAGEMENT

Power supply unit	internal
-------------------	----------

Power supply	AC 100 - 240V, 50/60Hz
--------------	------------------------

Power usage	23.7W typical, 0.46W stand by, 0.29W off mode
-------------	---

09 SUSTAINABILITY

Regulations	CB, CE, TÜV-Bauart, EAC, VCCI-B, RoHS support, ErP, WEEE, REACH
-------------	---

Energy efficiency class (Regulation (EU) 2017/1369)	F
---	---

EPEAT	T2454MSC-B1AG A
-------	-----------------

REACH SVHC	above 0.1%: Lead
------------	------------------

10 DIMENSIONS / WEIGHT

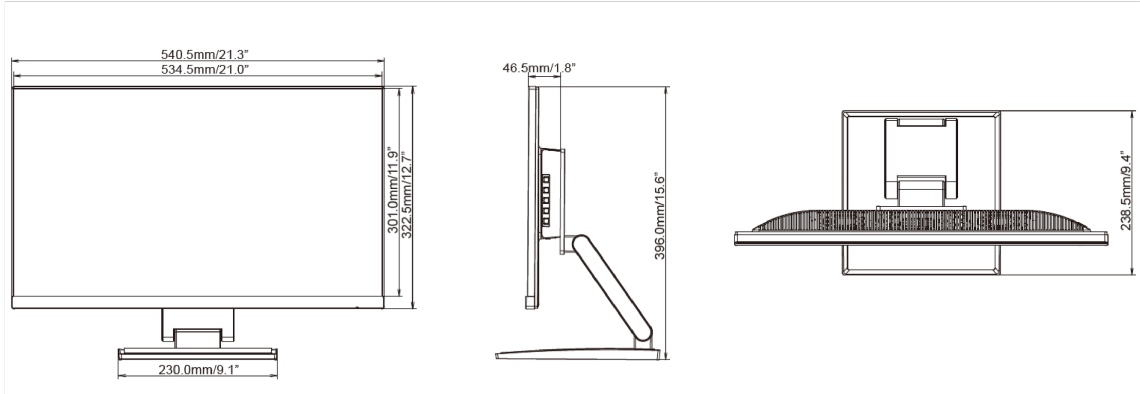
Product dimensions W x H x D	540.5 x 388 x 128mm
------------------------------	---------------------

Box dimensions W x H x D	601 x 408 x 175mm
--------------------------	-------------------

Weight (without box)	5.5kg
----------------------	-------

Weight (with box)	7.4kg
-------------------	-------

EAN code	4948570116416
----------	---------------



All trademarks and registered trademarks acknowledged. E & O E. Specification subject to change without notice. All LCD's comply with ISO-9241-307:2008 in connection with pixel defects.

© IYAMA CORPORATION. ALL RIGHTS RESERVED